

# TUC-24G-HC~FGD01

 Undercounter Foodservice Refrigerator, 1 Glass Swing Door



Dimensions	
External Width (mm)	610
External Depth (mm)	627
External Height (mm)	802
Exclusions	Depth does not include 26mm for rear bumpers and 42mm for door handle.
Net Volume (Litres)	94
Gross Volume (Litres)	158
Display Area (m <sup>2</sup> )	0.25
Supplied Shelves	2
Shelf Size (L x D mm)	One 508 x 352 + One 508 x 273
Internal Net Height (mm)	600
Unpackaged Weight (kg)	64
Packaged Weight (kg)	75
Packaged Dimensions (W x D x H mm)	788 x 762 x 1016
Supplied with	Built-in recessed castors (7mm clearance)

Build	
Door Description	1 Full Glass Swing Door
Door Opening	Right (standard) or Left
Exterior Construction	Stainless steel front & countertop, aluminium sides & rear
Interior Construction	Clear coated aluminium, stainless steel base
Air Intake Position	Front
Ventilation Position	Front
Clearance Required	Zero back and sides
Cord Length (Meters)	2.13
Internal Lighting	LED
Standard w/ Locks	Standard

Technical	
Temperature Range	0.5 : 3.3°C
Refrigerant	R290
Voltage/Frequency/Phase	220-240V/50-60Hz/1
Amps	1
Watts	230
Temperature Class	M1
Operating Statement	Tested at 25°C, 60% RH, per 'Refrigerators with a Direct Sales Function' for perishable food merchandising.
Test Standard	EN 23953
EEC	A
Energy Efficiency Index	9.3
Defrost Type	Auto
Energy Consumption (kWh/24h)	1.33
Energy Consumption (kWh/Annum)	489



Specifications subject to change without notice.  
Chart dimensions rounded up to the next whole millimeter (inches rounded up to the 1/8")

UK & Ireland  
EMEA  
Australia

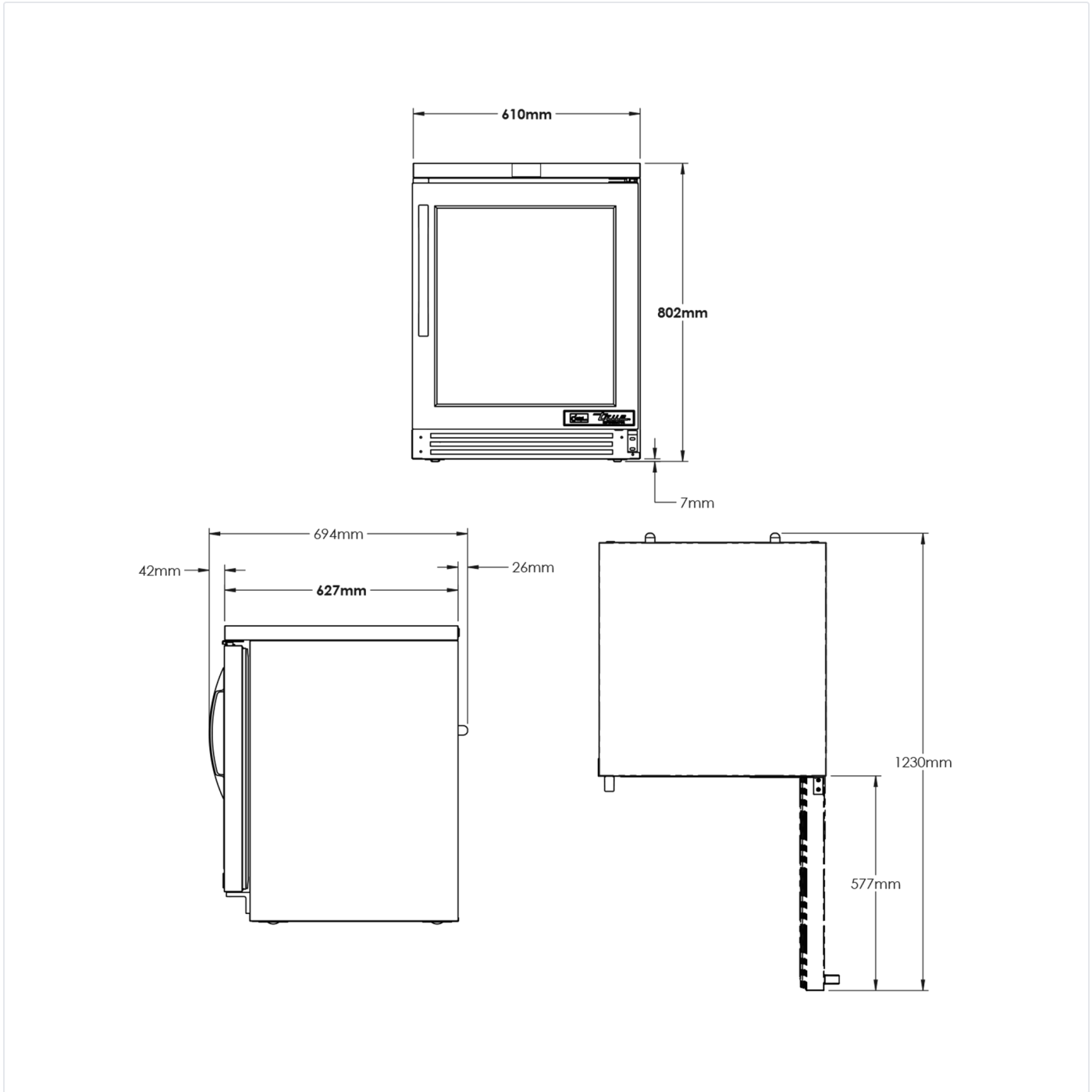
0800 783 2049  
[+41 61 563 07 05](tel:+41615630705)  
[+61 2 9619 9999](tel:+61296199999)

[TFIUK@truemfg.com](mailto:TFIUK@truemfg.com)  
[TrueCHCustomerService@truemfg.com](mailto:TrueCHCustomerService@truemfg.com)  
[TrueRefAus@truemfg.com](mailto:TrueRefAus@truemfg.com)



# TUC-24G-HC~FGD01

Undercounter Foodservice Refrigerator, 1 Glass Swing Door



Specifications subject to change without notice.  
Chart dimensions rounded up to the next whole millimeter (inches rounded up to the 1/8")

UK & Ireland  
EMEA  
Australia

0800 783 2049  
[+41 61 563 07 05](tel:+41615630705)  
[+61 2 9619 9999](tel:+61296199999)

[TFIUK@truemfg.com](mailto:TFIUK@truemfg.com)  
[TrueCHCustomerService@truemfg.com](mailto:TrueCHCustomerService@truemfg.com)  
[TrueRefAus@truemfg.com](mailto:TrueRefAus@truemfg.com)

